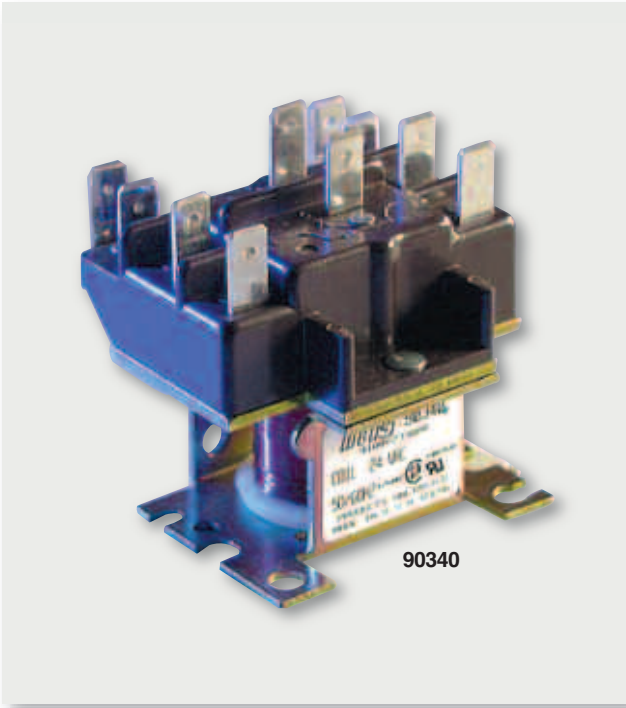


MARS General Purpose Switching Relays

MARS SERIES **903**

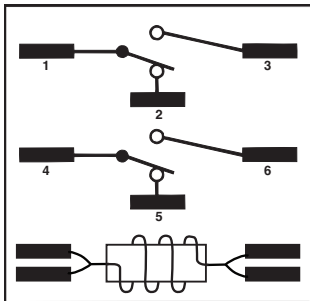


2-Pole Air Conditioning Relays

The MARS Series 903 switching relays are intended for many applications in air conditioning, refrigeration, and heating. Other uses include general purpose switching in appliances, fan controls, and vending machines. Our relays are available in 24, 110/120, and 208/240 coil voltages with various combinations of power and pilot duty contacts.

Features:

- Replaces Honeywell and White-Rodgers/RBM - cross reference on package
- Double quick-connect terminals on coil
- 2.13 x 1.88 x 2.25 in.
- Base is designed for easy replacement of competitive relays
- Molded terminal numbers and circuit diagram on top of relay
- UL and CSA listings available



	POWER		PILOT	
	120V	208/240V	120V	208/240V
Full Load Amps	12	6	—	—
Resistive Amps*	15	15	3	3
Locked Rotor Amps	60	35	—	—
Horsepower	3/4	3/4	1/10	1/10

*277 VAC

Cross Reference Information

MARS NO.	COIL VOLTAGE	TERMINALS 1-2-3	TERMINALS 4-5-6
90340	24		
90341	110/120	Power	Power
90342	208/240		
90343	24		
90344	110/120	Power	Pilot
90345	208/240		
90346	24	Pilot	Pilot
90348	208/240		

WR/RBM No.	MARS Replacement	HONEYWELL No.	MARS Replacement
90-340	90340	R4222B1082	90344
90-341	90341	R4222B1090	90345
90-342	90342	R4222D1013	90341
90-343	90343	R4222D1021	90342
90-344	90344	R4222N1010	90348
90-345	90345	R4222V1002	90344
90-346	90346	R4222V1010	90345
90-348	90348	R8222B1067	90343
		R8222D1014	90340
		R8222N1011	90346
		R8222V1003	90343

Coil Data: 24-240 VAC @ 50/60 Hz; 21.5 VA Max.
Inrush; 9.5 VA Max. Sealed



MARS General Purpose Switching Relays

MARS SERIES **903**

SPST and SPDT Fan Relays

The MARS Series 903 relays are among the most popular relays used in air conditioning today. They will replace the WR/Essex/RBM Type 84 (90-290 thru 90-295) quick-connect and screw terminal versions.*

Features:

- 0.25 inch quick-connect terminals
- Packaged with instructions and cross reference
- Replace 90-290 thru 90-295 and 90-290Q thru 90-295Q
- Dimensions: 2.38 x 1.63 x 1.50 in.
- UL and CSA listings available

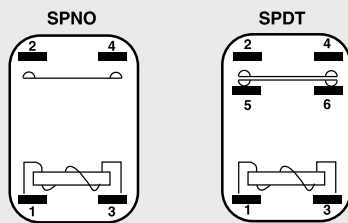
COIL VOLTAGE	MARS NO. SPST	MARS NO. SPDT
24	90290	90293
110/120	90291	90294
208/240	90292	90295

Contact Rating—All Models/Amps

VOLTAGE	FULL LOAD	LOCKED ROTOR	RESISTIVE
120	12	60	18
240	8	48	18
277	7	42	18

SPDT

MARS NO.	COIL VOLTAGE	CONTACT RATING 125 VAC	CONTACT RATING 250 VAC
90296	24	3 amps	1.5 amps



Cross Reference Information

WR/RBM NO.	MARS REPLACEMENT	WR/RBM NO.	MARS REPLACEMENT
90-290*	90290	90-293*	90293
90-290Q	90290	90-293Q	90293
90-291*	90291	90-294*	90294
90-291Q	90291	90-294Q	90294
90-292*	90292	90-295*	90295
90-292Q	90292	90-295Q	90295

Coil Data: 24-240 VAC @ 50/60 Hz; 5 VA Max. Inrush; 3.0 VA Max. Sealed

*For Screw Terminal Versions, use MARS No. 93029 push-on to screw-on adaptors.

Heavy Duty Fan Relays

MARS Heavy Duty Fan Relays are used on heating and air conditioning equipment to provide switching of heavier loads with a compact size relay.

MARS Heavy Duty Fan Relays replace WR/Essex/RBM type 184.

Features:

- 0.25 inch quick-connect terminals
- Packaged with instructions and cross reference
- Replaces WR/Essex/RBM Type 184
- Universal mounting bracket
- UL and CSA listings available

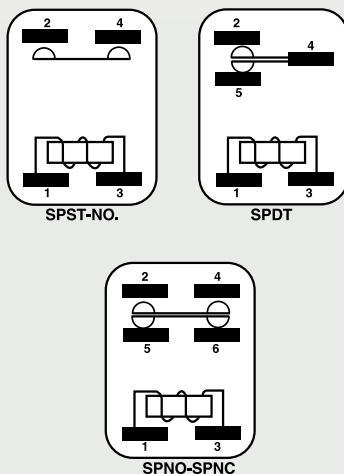
COIL VOLTAGE	MARS NO. SPST	MARS NO. SPDT	MARS NO. SPNO-SPNC
24	90360	90370	90380
110/120	90362	90372	90382
208/240	90364	90374	90384
277		90377	

Contact Rating—All Models/Amps

VOLTAGE	FULL LOAD	LOCKED ROTOR	RESISTIVE
120	12	60	18
240	8	48	18
277	7	42	18

Coil Data

COIL VOLTAGE	MAX INRUSH	MAX. SEALED
24	5 VA	3 VA
120	5 VA	3 VA
208/240	5 VA	3 VA



Cross Reference Information

WR/RBM	MARS NO.	WR/RBM	MARS NO.
90-360	90360	90-374	90374
90-362	90362	90-380	90380
90-364	90364	90-382	90382
90-370	90370	90-384	90384
90-372	90372		